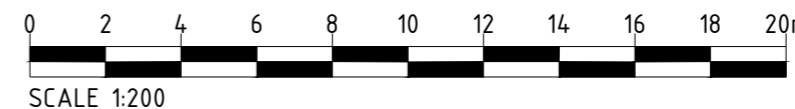
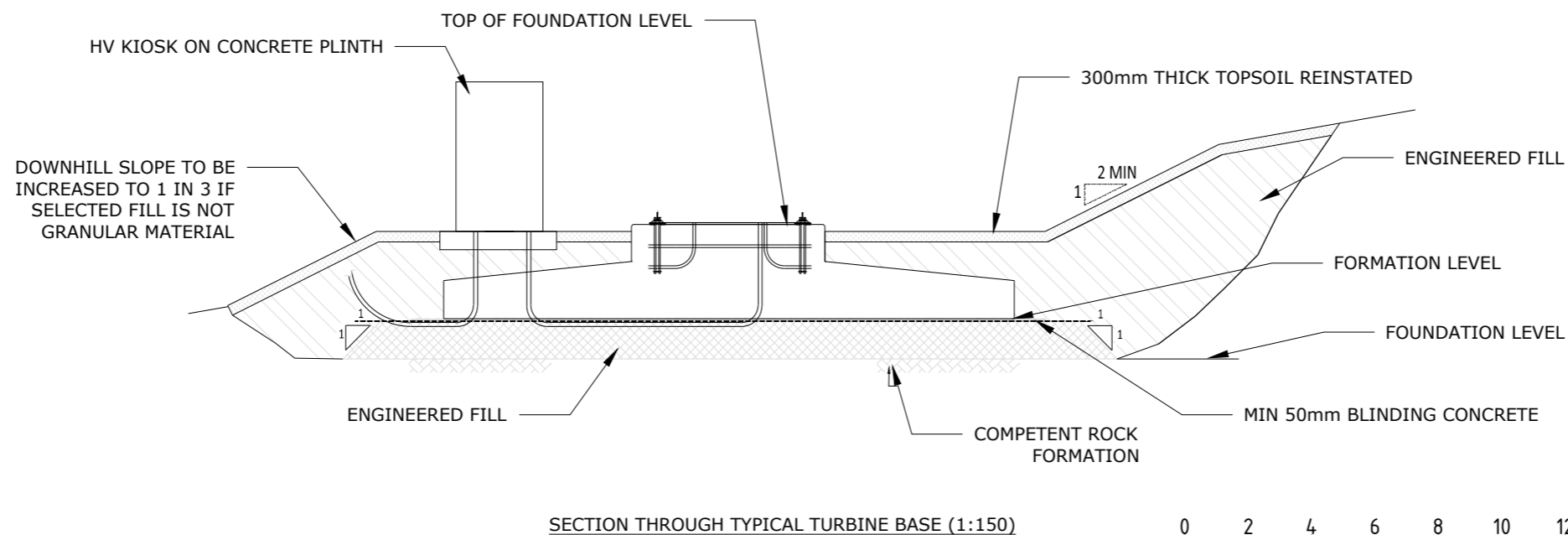
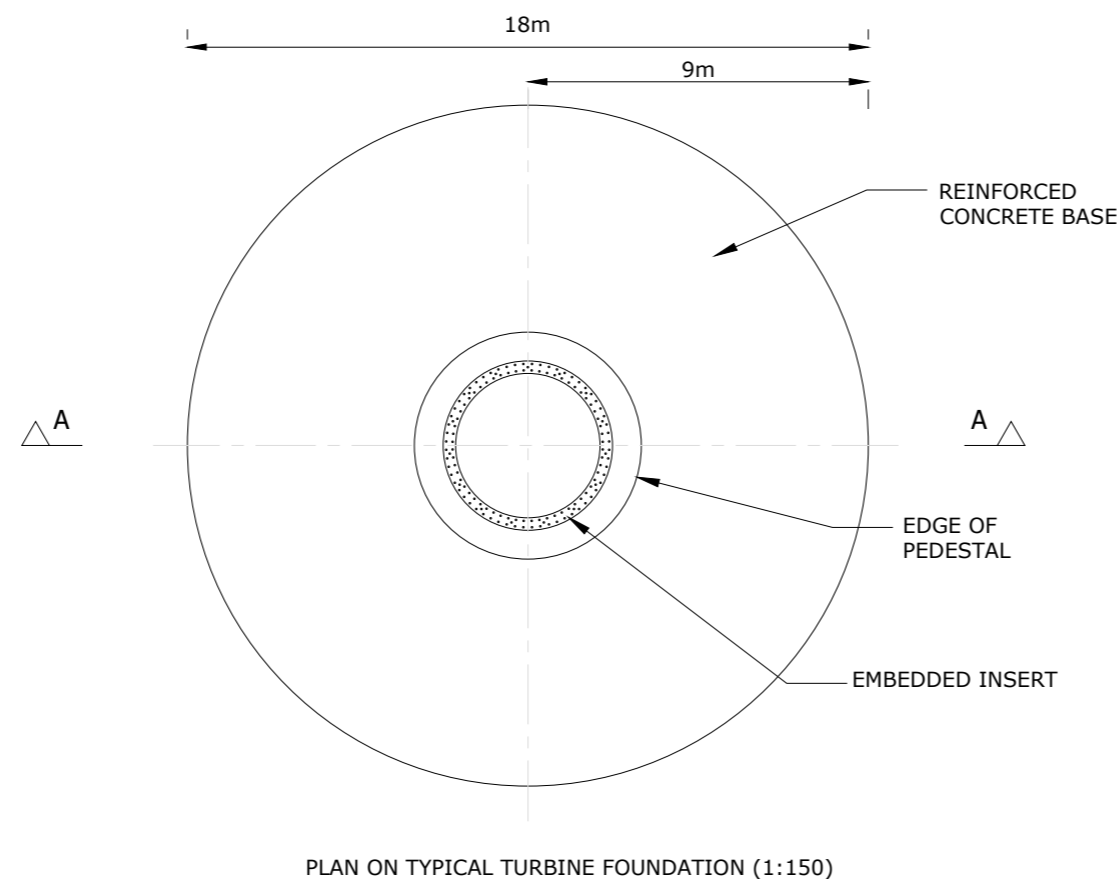


Originator: Neil Patton
 \GOS-FS14\shared\GWM\DATA\PROJECT\806686 Tom na Clach Wind Farm Extension EIA\Deliver Stage\Design_Technical\Drawings\Indesign\806686-WOOD-XX-XX-FG-O-00007_S0_P01.1.indd



Legend:

Title:
Typical Turbine Foundation

Project:
Tom na Clach Wind Farm Extension

Source:

Client:
Infinergy

Drawn by: pattn	Checked: hughg
---------------------------	--------------------------

Date: August 2021	Figure: 3.6
-----------------------------	-----------------------

Scale: 1:200	Revision No: -
------------------------	--------------------------



Drawing Ref:
806686-WOOD-XX-XX-FG-O-00007_S0_P01.1